
Dry-mix concrete spraying machine

Illustrated kit may include options and additional equipment.

Features

The NORMET PICCOLA is a dry-mix concrete spraying machine, based on the rotor principle. Its well-proven design makes it extremely robust, easy to set up and simple to operate. Various configurations and a wide choice of specialized nozzle kits make it the machine of choice for small-to-medium applications in:

- Slope protection
- Small-to-medium area repairs
- Swimming pool construction
- House building
- Spraying of fine mortars for joint repairs
- Emergency and back-up work on TBMs
- Refractory lining
- Conveyance of all types of dry materials such as gravel
- Sandblasting
- Sprayable membranes
- Fire protection

Main features:

- Very robust and simple design for a long service life
- Easy cleaning due to single-spindle clamping system
- Freely accessible wear parts
- Air distributor with 2 ball valves for conveying air and needle valve for individual control of upper and lower air flow, including magnetic valve in the main air line (only with Control Box 20)
- Quick exchange of rotor type and outlet for different outputs/applications
- Rubber pads and friction discs can be refaced for a long service life
- Huge range of nozzle sizes, shapes and materials for all applications and conditions

Disclaimer: Product will be quoted according to information and specification provided.
Images and drawings are indicative only. The final product may not be identical but similar to that illustrated.
Normet reserves the right to change this specification without further notice.

Technical specifications

CONCRETE SPRAYING PUMP/FEED

- > Sturdy hopper and mesh design on silent blocks
- > Special self-levelling, single-spindle clamping system for uniform pressure to all sealing surfaces
- > Fast cleaning device at the upper rubber pad
- > Self-cleaning discharge spout with conical blow-out and rubber inlet
- > Wear-optimized rotor components for a long service life
- > Bag ripper for integrated mesh
- > Dust collector with filter bag
- > Spraying capacity (max. theoretical) 5.0 m³/h
- > Feeding hopper height 1 100 mm
- > Feeding hopper volume 45 L
- > Conveying distance/height, max 500/100 m
- > Recommended grain size, max 4-6 mm

CONTROL SYSTEM

- > Easily accessible control system in dust- and splash-proof central control box
- > Simple control elements and 2-wire emergency circuit
- > Motor protection and earth leakage circuit breaker
- > Hour meter counter

CARRIER

- > Rigid frame with pneumatic tyres, guide fork and tow bar
- > Spur gear reduction drive with protection hood for motor and V-belt pulleys

ELECTRICAL SYSTEM

- > Control system 24V DC
- > Socket with phase change switch CEE 3P/N/E, 32A
- > Protection class IP55

Optional equipment

POWER PACK

- > Electric motor, 2-speed
 - 3x400/440V / 50/60 Hz
 - 2 stage electric motor 2.2/3.3 kW
- > Electric motor, variable speed
 - 3x400/440V / 50/60 Hz
 - electric motor 4.0 kW
 - requires Control Box 20
- > Compressed air motor, variable speed
 - motor 5.6 kW
 - air consumption (for motor only) 5.0 m³/min
 - pressure 6.0 bar

FEED SYSTEM/ROTORS

Rotor type

Practical output capacity

- | | |
|--|---------------------------|
| > Half-size rotor, 12 round holes | |
| ◦ normal hardened discs | 0.8/1.0 m ³ /h |
| ◦ super hardened disc | 0.8/1.0 m ³ /h |
| ◦ special (sandblasting), super hardened discs | 0.3 m ³ /h |
| > Half-size rotor, 12 sector holes | 0.6/2.1 m ³ /h |
| ◦ normal hardened discs | |
| > 9 round hole rotor | 2.1/2.7 m ³ /h |
| ◦ normal hardened discs | |
| ◦ super hardened discs | |
| > 12 round hole rotor | 1.5/2.0 m ³ /h |
| ◦ normal hardened discs | |
| ◦ super hardened discs | |
| > 12 sector holes | 2.7/3.5 m ³ /h |
| ◦ normal hardened discs | |

Practical output capacity is based on past experience. Deviations are possible due to different mix design or material characteristics.

MISCELLANEOUS

- > Discharge spout Ø 25/32/40/50 mm
- > Hopper mesh sizes 15/20/25 mm

Additional equipment

SPRAYING/NOZZLE/ CONVEYING SYSTEM

- > Conveying/nozzle system Ø 32/40/50 mm
- > Ring gap nozzle system
for low dust emission Ø 32/50 mm
- > Conveying/nozzle system
for sprayable membrane Ø32 mm

All including conveying hose 20 m, spraying hose 20 m (total hose length 40 m), conical spraying nozzle, couplings and gaskets.

CONTROL SYSTEM

- > Remote control with cable 40 m
- > Extension cable to remote control 40 m
- > Control Box 20 for electric variable speed drive
 - Easy access control cabinet with PLC including sockets for electric vibrator, remote control and water booster pump

WATER SYSTEM

- > Booster pump, max capacity 17.5 L/min at 12 bar
 - electric drive 2.2kW
 - compressed air drive 2.4kW
- > High-pressure water hose 2x20m with quick couplings
 - 16/23 mm, 20 bar

ACCESSORIES

- > Bag ripper for hopper extension
- > Electric vibrator (on hopper)
- > Air driven vibrator (on hopper)
- > Hopper extension
 - weldment open with mesh
(not recommended for feeding with bagged material and silo) 50 L
 - weldment closed with mesh 50 L

WATERPROOF MEMBRANE

- > Special machine versions (MA and ME) for sprayable membrane (e.g. TamSeal 800) including water absorber, special seals, hopper lid and nozzle configuration
- > Piccola MA (M= Membrane spraying, A= Air driven)
 - Including compressed air motor (variable speed), half-size 12-rh rotor, discharge spout 32 mm, air driven vibrator, water booster pump and water separator for compressed air
- > Piccola ME (M= Membrane spraying, E= Electric driven)
 - Including electric motor (variable speed), half-size 12-rh rotor, discharge spout 32 mm, electric vibrator, remote control with 40 m cable, Control Box 20, water booster pump and water separator for compressed air

- > Conversion kit to sprayable membrane version for existing machines

Disclaimer: Product will be quoted according to information and specification provided. Images and drawings are indicative only. The final product may not be identical but similar to that illustrated. Normet reserves the right to change this specification without further notice.

ACCELERATOR DOSING SYSTEM

- > Nordoser 4D dosing system for liquid alkali-free accelerator (DOC030146)

LTC services

SPARE PARTS

Spare parts packages: Available for different working hours. Include periodic service, the most common wear parts and most critical safety parts. Spare parts* packages available on request.

* Recommendations are based on average hours and can vary greatly depending on worksite conditions.

TRAINING SERVICES

Available before delivery, at start-up and after delivery

Product training:

Operation and maintenance

NorSmart

Foundation in electrics, hydraulics and mechanics

Audit

Process training:

Concrete spraying

Charging

Process audit

AUDIT SERVICES

To improve the performance of the machines

To improve the performance of your processes

To help improve the quality of maintenance operations

SERVICE CONTRACTS

Spare parts supply programmes

Scheduled inspection programmes

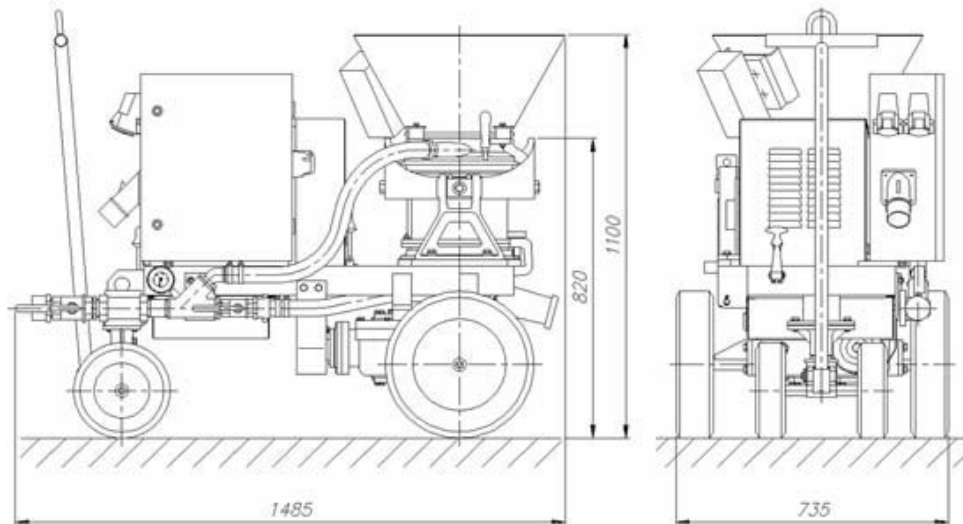
Supervision programmes

Periodic maintenance programmes

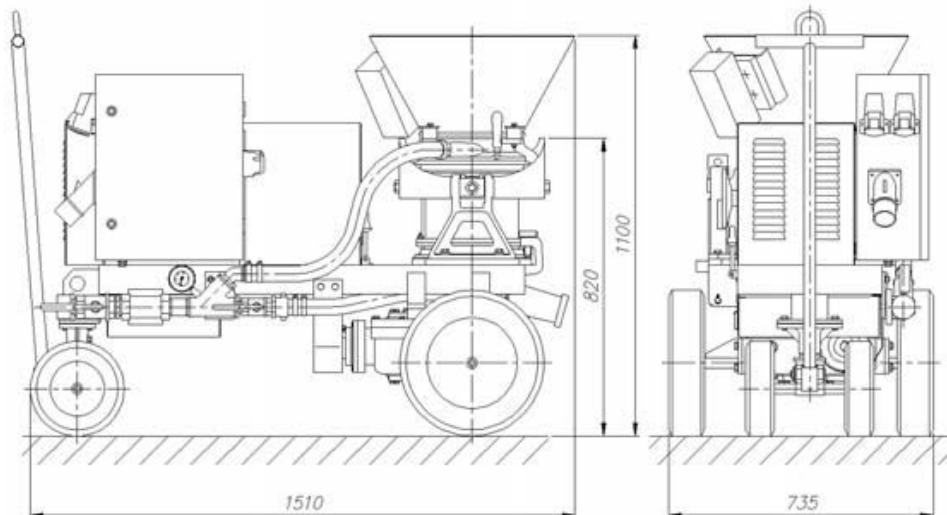
Machine usage programmes

LINK ONE

Link One electronic spare part manuals

Dimensions**SIDE AND FRONT VIEW**

NORMET Piccola with electric motor

**SIDE AND FRONT VIEW**

NORMET Piccola with electric motor and variable gear

DIMENSIONS

- Length
 - with electric motor 1 485 mm
 - with electric motor and variable gear 1 510 mm
- Width 735 mm
- Height 1 100 mm
- Hopper filling height 1 100 mm
- Weight
 - with electric motor 450kg
 - with electric motor and variable gear 470kg

Disclaimer: Product will be quoted according to information and specification provided.
Images and drawings are indicative only. The final product may not be identical but similar to that illustrated.
Normet reserves the right to change this specification without further notice.